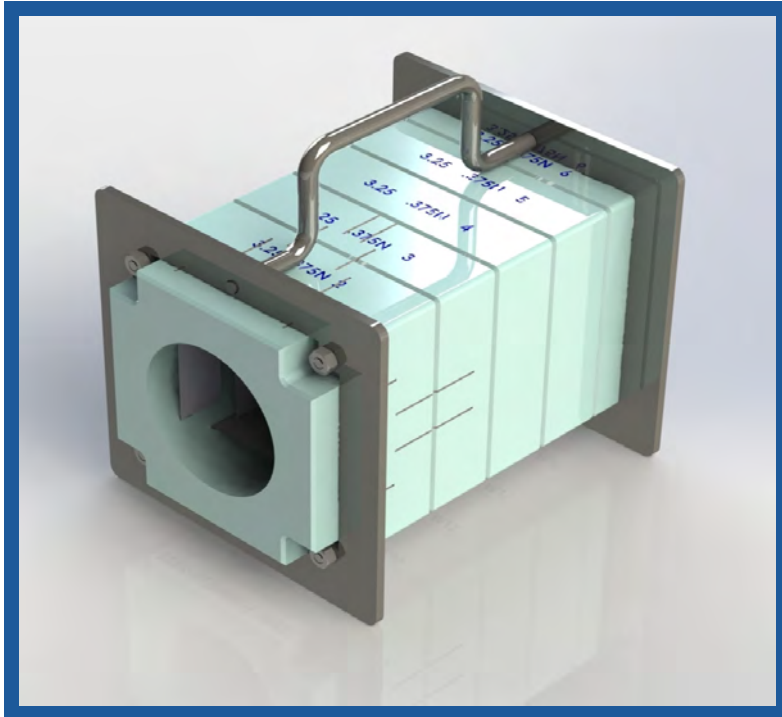


HYDROCUTTING COMPONENTS: BLOCKS

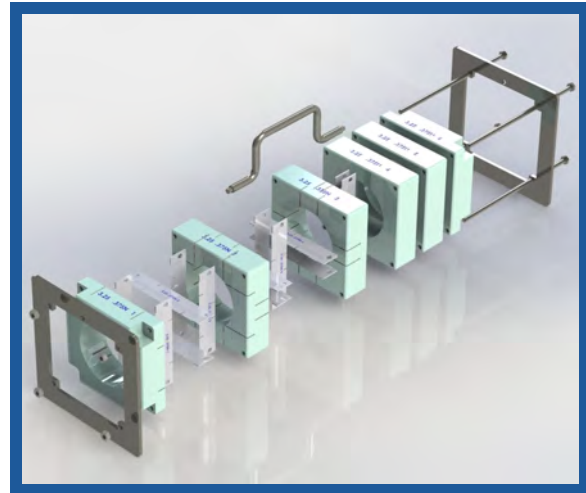


Office:(208)677.2222
www.southernfieldwelding.com



BLOCK ASSEMBLY:

- Modular Tunnel Knife Block Design
- Polypropylene block material



INSIDE/EXPANDED VIEW

- 400 series stainless steel blade material
- Easy assembly (only 4 bolts)

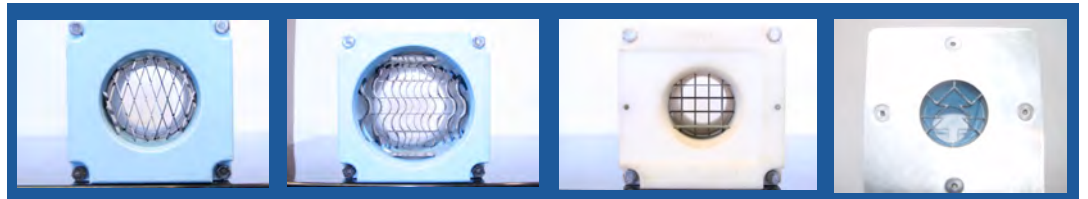
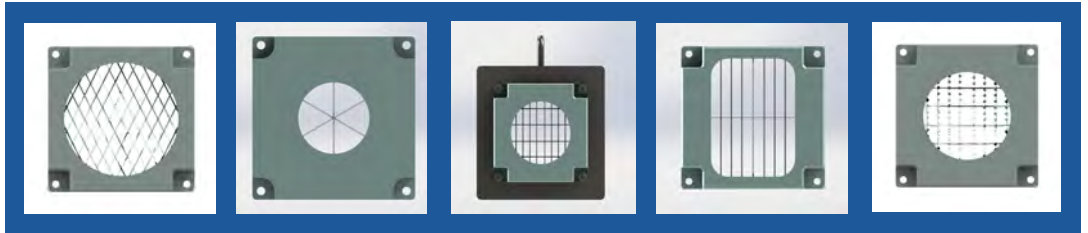
BLADES

- Straight Cut - .05" Thick
- Straight Cut - .043" Thick
- Center Cut
- Crinkle Cut
- Wavy - .05" Thick
- Wavy - .043" Thick
- Wavy - Center



AVAILABLE OPTIONS

- Handles
- Various Bore Sizes
- Various Cuts
- Various Styles
- Wedge
- Slab
- Straight
- Crinkle
- Various Lengths
- Inch and Metric Cuts Available



APPLICATIONS



Potatoes & Sweet Potatoes:

Wedges, Slices, Crinkle Fries, Straight Fries, Crinkle Straight Fries, Homestyle Fries, Halves, Specialty

Jalepenos:

Slices, Coring, Strips

Tomatoes:

Slices, Sticks, Wedges, Crinkle

Strawberries:

Wedges, Slices, Halves, Quarter

Peppers:

Coring, Strips

Onions:

Strips, Rings, Slices

Pickles:

Wedges, Slices, Crinkle Slices